

H753

KNURLED SOLID HANDWHEEL WITH THREADED STUD



Materials:

Reinforced polyamide.
Resistant to oils and greases.

Surface finish:

Satin.

Colour:

Black (RAL 9011).

Inserts:

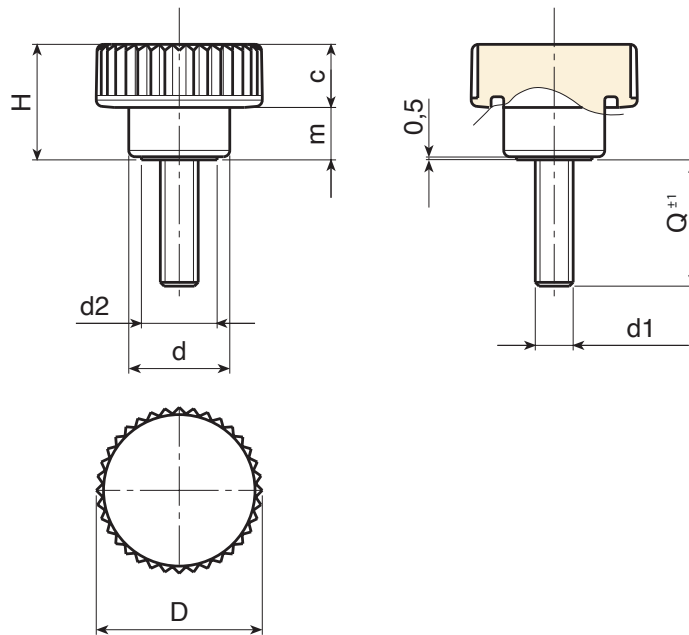
Galvanised steel threaded stud (thread tolerance 6g).

Special Requests:

- Upon request and for special quantities inserts can be supplied with customised lengths.
- Upon request and for special quantities inserts can be supplied in different materials.
- Upon request and for special quantities available in the colours indicated in the chart [page 959].



08



Code	art.	D	H	d	m	c	d2	LM	d1 _{6g}	Q	
H75326.0004	H18015.BM0501	26	18	16	8.5	9.5	12	50	M5	20	10
H75326.0008	H18015.BM0501	26	18	16	8.5	9.5	12	50	M6	20	13
H75326.0009	H18015.BM0501	26	18	16	8.5	9.5	12	50	M6	25	14
H75326.0012	H18015.BM0501	26	18	16	8.5	9.5	12	50	M8	20	20
H75326.0014	H18015.BM0501	26	18	16	8.5	9.5	12	50	M8	30	22

LM = maximum mouldable length.
Threaded stud length on request, with a minimum quantity of 250 pieces.

