

H767



PA6
+G.F.

UL94
HB

RoHS
COMPLIANT

KNURLED HOLLOW HANDWHEEL WITH FEMALE THREADED INSERT

Materials:

Reinforced polyamide.
Resistant to oils and greases.

Surface finish:

Satin.

Colour:

Black (RAL 9011).

Inserts:

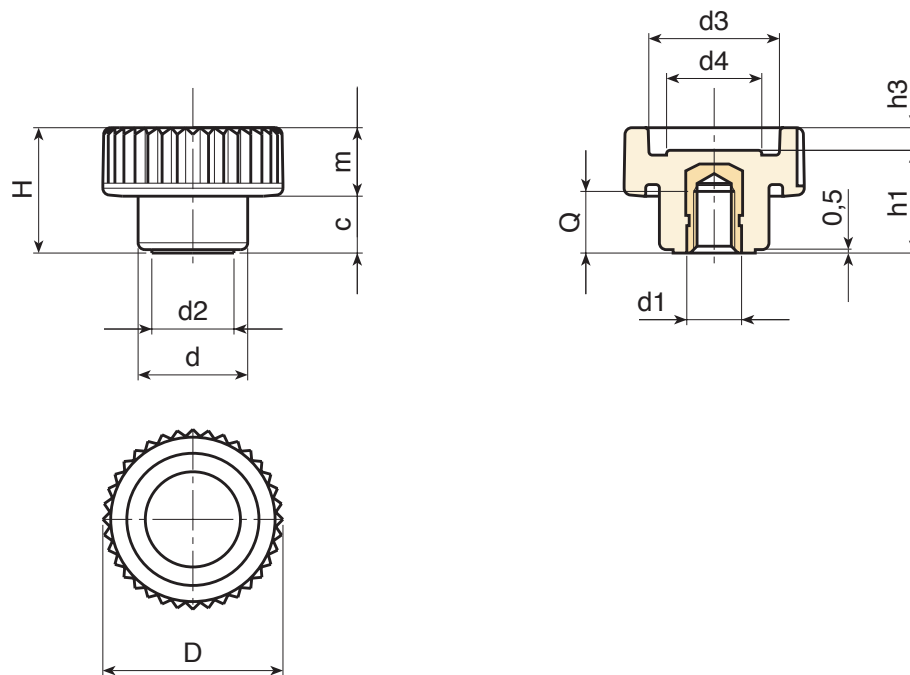
Brass insert with female threaded hole (thread tolerance 6H).

Special Requests:

- Upon request and for special quantities inserts can be supplied in different materials.
- Upon request and for special quantities available in the colours indicated in the chart [page 959].



08



| Code | art. | D | H | d | m | c | d2 | d3 | d4 | h1 | h3 | d1 _{6H} | Q | |
|-------------|---------------|----|----|----|------|------|-----|----|------|------|-----|------------------|----|------|
| H76721.0002 | H18015.BM0501 | 21 | 15 | 13 | 6.5 | 8.5 | 9.5 | 15 | 10.5 | 12.5 | 2.5 | M5 | 7 | 5.5 |
| H76721.0005 | H18015.BM0501 | 21 | 15 | 13 | 6.5 | 8.5 | 9.5 | 15 | 10.5 | 12.5 | 2.5 | M6 | 7 | 6 |
| H76726.0002 | H18015.BM0501 | 26 | 18 | 16 | 8.5 | 9.5 | 12 | 19 | 13 | 15 | 3 | M6 | 9 | 8 |
| H76726.0005 | H18015.BM0501 | 26 | 18 | 16 | 8.5 | 9.5 | 12 | 19 | 13 | 15 | 3 | M8 | 8 | 8.5 |
| H76733.0002 | H18015.BM0501 | 32 | 23 | 20 | 10.5 | 12.5 | 15 | 23 | 16 | 18 | 5 | M8 | 11 | 15.5 |
| H76733.0004 | H18015.BM0501 | 32 | 23 | 20 | 10.5 | 12.5 | 15 | 23 | 16 | 18 | 5 | M10 | 10 | 16 |
| H76740.0001 | H18015.BM0501 | 40 | 28 | 25 | 12.5 | 15.5 | 18 | 28 | 21 | 22 | 6 | M8 | 14 | 27 |
| H76740.0002 | H18015.BM0501 | 40 | 28 | 25 | 12.5 | 15.5 | 18 | 28 | 21 | 22 | 6 | M10 | 14 | 28 |
| H76740.0003 | H18015.BM0501 | 40 | 28 | 25 | 12.5 | 15.5 | 18 | 28 | 21 | 22 | 6 | M12 | 12 | 29 |