

H770

KNURLED KNOB WITH FEMALE THREADED INSERT



Materials:

Reinforced polyamide.
Resistant to oils and greases.

Surface finish:

Satin.

Colour:

Black (RAL 9011).

Inserts:

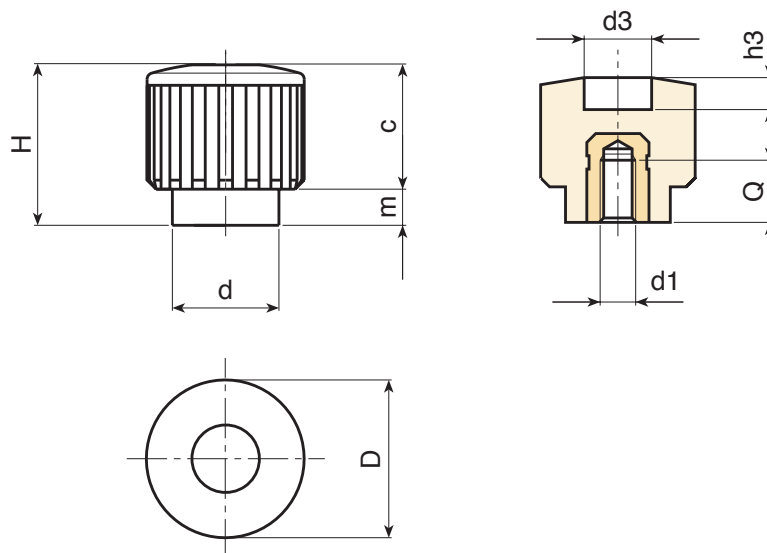
Brass insert with female threaded hole (thread tolerance 6H).

Special Requests:

- Upon request and for special quantities inserts can be supplied in different materials.
- Upon request and for special quantities available in the colours indicated in the chart [page].



H



Code	art.	D	H	d	m	c	d3	h3	d1 ^{6H}	Q	
-	H18015.BM0501	17.5	17.5	12	4	13.5	9	5	M4	7	5
-	H18015.BM0501	17.5	17.5	12	4	13.5	9	5	M5	7	5
-	H18015.BM0501	17.5	17.5	12	4	13.5	9	5	M6	7	5