

H772



KNURLED KNOB WITH THREADED THROUGH-HOLE INSERT

Materials:

Reinforced polyamide.
Resistant to oils and greases.

Surface finish:

Satin.

Colour:

Black (RAL 9011).

Inserts:

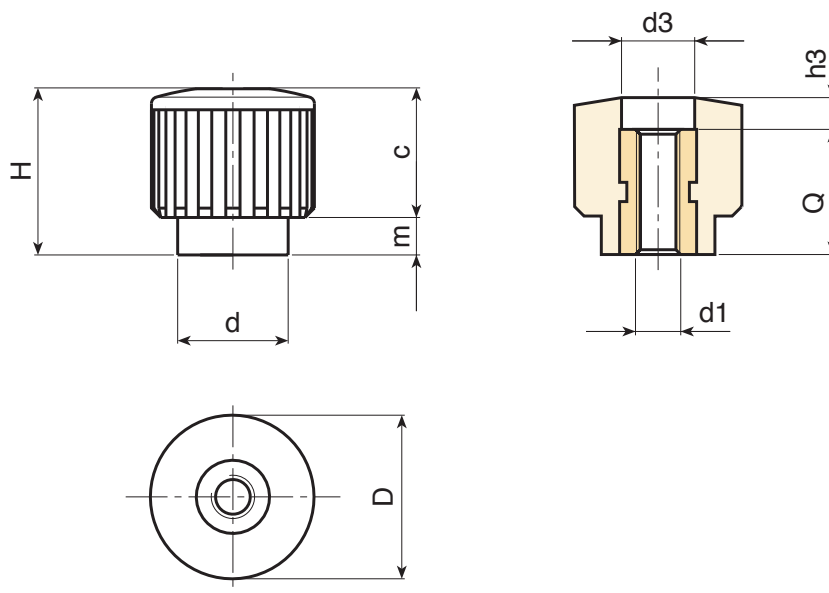
Brass insert with threaded through hole (thread tolerance 6H).

Special Requests:

- Upon request and for special quantities inserts can be supplied in different materials.
- Upon request and for special quantities available in the colours indicated in the chart [page].



H



Code	art.	D	H	d	m	c	d3	h3	d1 ^{6H}	Q	g
-	H18015.BM0501	17.5	17.5	12	4	13.5	9	4.5	M4	13	5.5
-	H18015.BM0501	17.5	17.5	12	4	13.5	9	4.5	M5	13	5.5
-	H18015.BM0501	17.5	17.5	12	4	13.5	9	4.5	M6	13	5.5