

I109

PUSH-FIT CONICAL KNOB WITH HOLE



Materials:

Reinforced polyamide.
Resistant to oils and greases.

Surface finish:

Satin.

Colour:

Black (RAL 9011).

Hole:

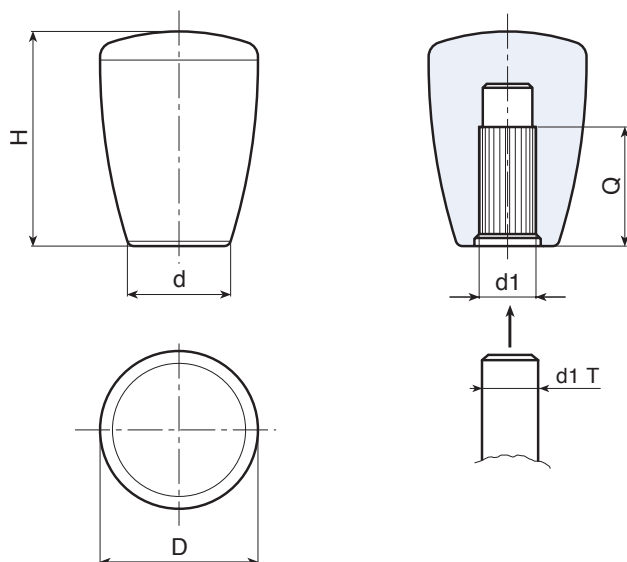
Blind smooth bore, with deformable fixing ribs, obtained by moulding the plastic.

Fixing method:

Push-fit.

Special requests:

- Upon request and for special quantities available in the colours indicated in the chart (ATTENTION: reduced range for measures marked (*)) [page].



Code	art.	D	H	d	d1 T	d1	Q	g
I10921.0002	I10921.TG0501	21	28	13	+0 -0,048	5	16	13
I10925.0001	I10925.TG0601	25	34	17	+0 -0,048	6	24	16
I10925.0002	I10925.TG0801	25	34	17	+0 -0,058	8	24	16
I10925.0005	I10925.TG1001	25	34	17	+0 -0,058	10	24	14
I10932.0001	I10932.TG0801	32	43	21	+0 -0,058	8	30	36
I10932.0003	I10932.TG1001	32	43	21	+0 -0,058	10	30	34
I10932.0006	I10932.TG1201	32	43	21	+0 -0,070	12	30	30
I10943.0001	I10943.TG1001	43	58	27	+0 -0,058	(*)10	36	80
I10943.0002	I10943.TG1201	43	58	27	+0 -0,070	(*)12	36	78
I10943.0003	I10943.TG1401	43	58	27	+0 -0,070	(*)14	36	76
I10943.0004	I10943.TG1501	43	58	27	+0 -0,070	(*)15	36	74