

I113

CONICAL KNOB WITH LEVER ARM



Materials:

Reinforced polyamide.
Resistant to oils and greases.

Surface finish:

Satin.

Colour:

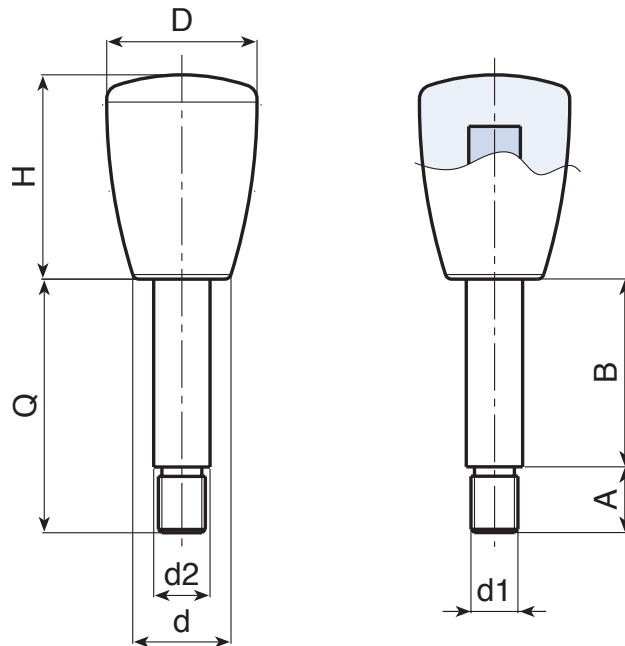
Black (RAL 9011).

Inserts:

Galvanised steel partially threaded stud (thread tolerance 6g).

Special requests:

- Upon request and for special quantities inserts can be supplied to customer's drawing.
- Upon request and for special quantities inserts can be supplied in different materials/with different coatings.
- Upon request and for special quantities available in the colours indicated in the chart (ATTENTION: reduced range for measures marked (*)) [page].



Code	art.	D	H	d	A	B	d2	d1 _{6g}	Q	g
I11325.0001	I11325.TI10X4001	25	34	17	10	30	10	M8	40	42
I11325.0002	I11325.TI10X5501	25	34	17	10	45	10	M8	55	48
I11325.0003	I11325.TI10X8001	25	34	17	10	70	10	M8	80	75
I11332.0001	I11332.TI12X5501	32	43	21	15	40	12	M10	55	86
I11332.0002	I11332.TI12X6501	32	43	21	15	50	12	M10	65	97
I11332.0005	I11332.TI14X6501	32	43	21	15	50	14	M12	65	114

Customised stud length available for a minimum of 250 pieces.
LM = Maximum mouldable length.