

J290



LIGHT TOGGLE CLAMP WITH THRUST ROD AND RUBBER HANDLE

Materials:

- (1) TPV thermoplastic rubber handle. Hardness 75 Shore.
- (2) Sheared and bent base and lever system in sheet metal (DD13).
- (3) Rotation pins and fixing rivets in stainless steel (Aisi 304).
- (4) Thrust rod with threaded hole in free-cutting steel.

Surface finish:

Smooth.

Colour:

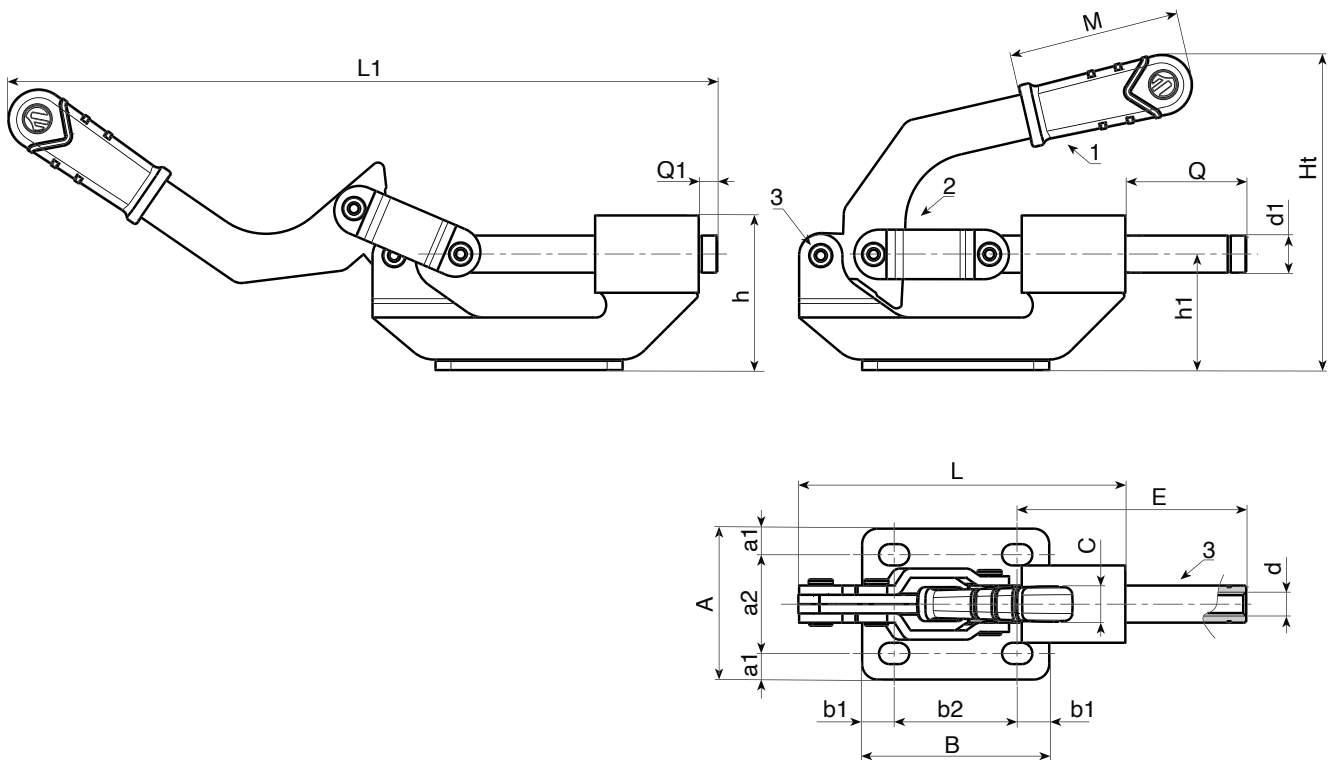
- (1) Red (RAL 3000).
- (4) Black-oxide treated.
- (2) Standard blue galvanising.

Special Requests:

- None.



10



Code	art.	F1 (Kg)	L	L1	Ht	h	h1	A	B	C	E	M	Q	Q1	s	a1	a2	b1	b2	d	d1	o	p		
J290022.0001	J290022.FZ16	220	107	234	98	47	34	49	60	12,5	79	65	41	3	3	8,5	32	10	40	M8	12	10	7	458	