

J305

PLASTIC CAM FOR SIMPLE LATCHING



Materials:

Reinforced polyamide.
Resistant to oils and greases.

Surface finish:

Satin.

Colour:

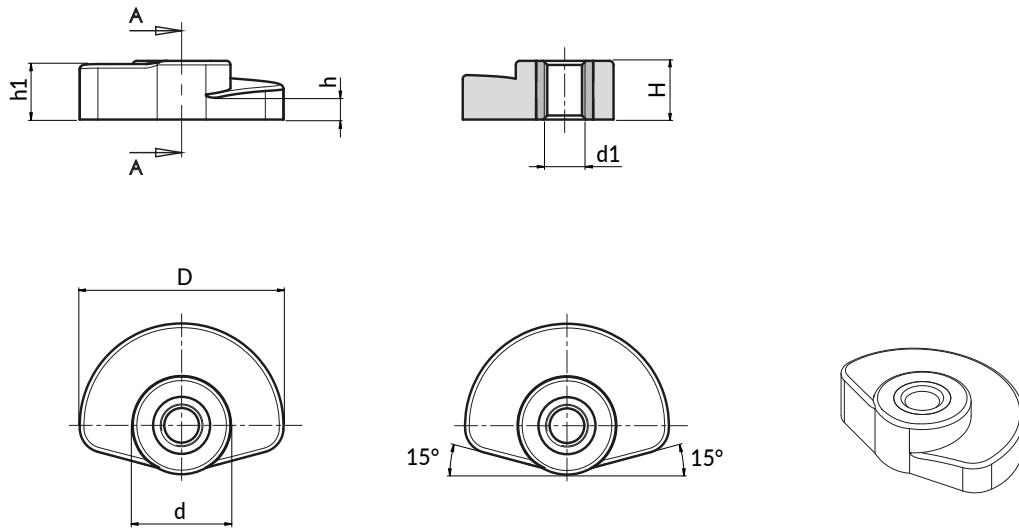
Black (RAL 9011).

Inserts:

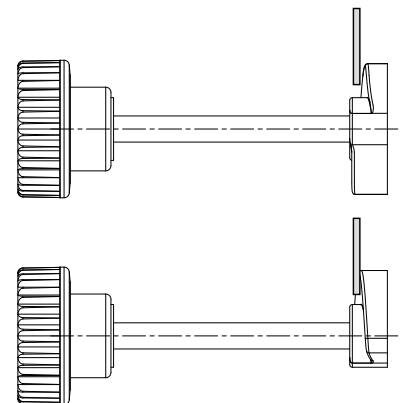
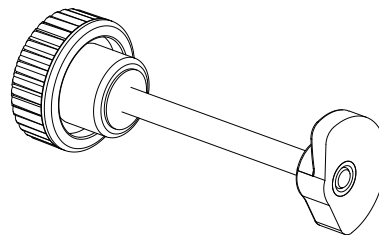
Brass insert with threaded through hole (thread tolerance 6H).

Special Requests:

- None.



This cam can be used in combination with any handwheel with stud. In this way, as illustrated in the sketch to the side, the assembly becomes a simple latch for securing doors. Turning the handwheel also rotates the cam, which, being a spiral shape, varies the grip thickness to latch onto the door.



Code	art.	D	d	H	h	h1	d16H	g
-	J30525.TM0501	25	12	7,2	3	6,8	M5	3