

L274HIN

FULL STAINLESS STEEL T-HANDLE WITH FEMALE THREADED HOLE



INOX

Materials:

Precision-cast stainless steel, (Aisi 304).

Surface finish:

Satin.

Colour:

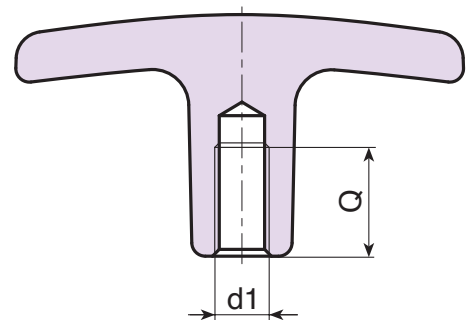
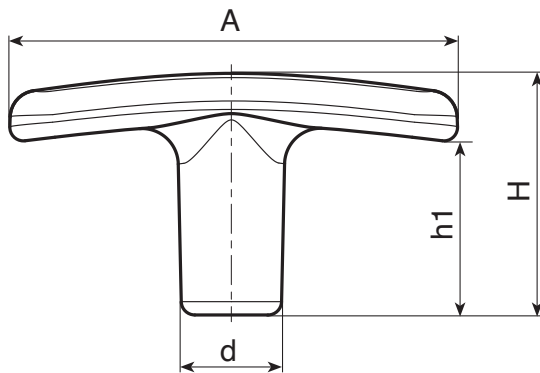
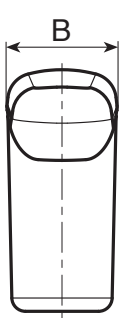
Natural

Hole:

Female threaded hole, obtained by further processing (thread tolerance 6H).

Special Requests:

- Upon request and for special quantities the hole can be supplied to customer's drawing.
- Upon request and for special quantities the T-handle can be supplied in Aisi 316 stainless steel.



INOX

| Code | Art. | A | B | H | h1 | d | d1 _{6H} | Q | g |
|-------------|-----------------|----|----|----|----|----|------------------|----|----|
| L27450.0001 | L27450.HNM06HIN | 50 | 12 | 27 | 19 | 11 | M6 | 12 | -- |
| L27460.0001 | L27460.HNM08HIN | 60 | 14 | 34 | 24 | 13 | M8 | 16 | -- |
| L27472.0001 | L27472.HNM08HIN | 72 | 16 | 40 | 30 | 15 | M8 | 16 | -- |
| L27472.0002 | L27472.HNM10HIN | 72 | 16 | 40 | 30 | 15 | M10 | 16 | -- |