

# N248

## KNURLED CONTROL KNOB WITH THREADED HOLE INSERT



PA6  
+G.F.

UL94  
HB



### Materials:

Reinforced polyamide.  
Resistant to oils and greases.

### Surface finish:

Satin.

### Colour:

Black (RAL 9011).

### Cap:

Central cap in grey polyamide (RAL 7035).

### Inserts:

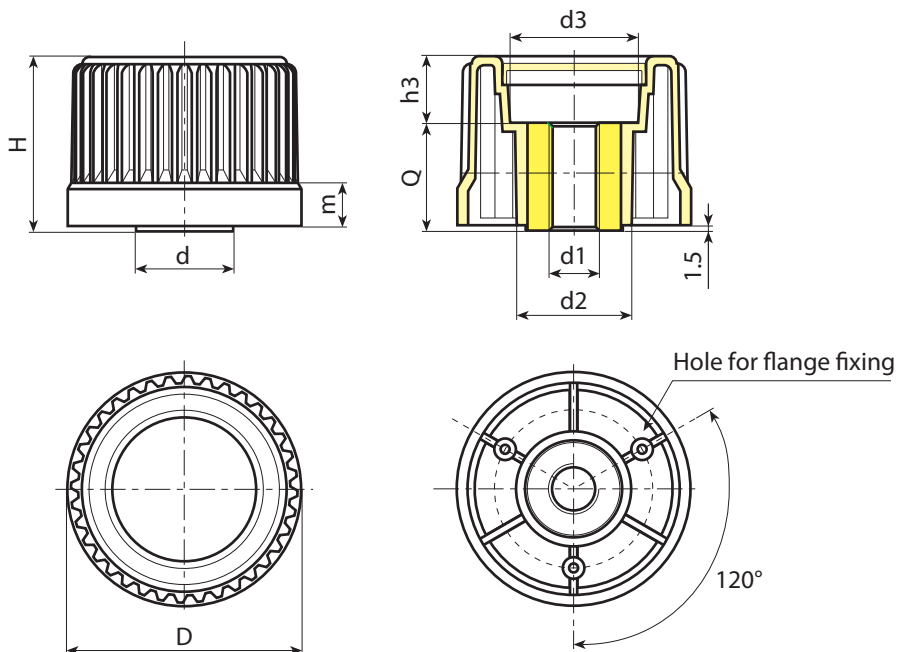
Galvanised steel insert with threaded through hole (thread tolerance 6H).

### Notes:

(\*) Side NFLAN flange fixing (optional).

### Special requests:

- Upon request and for special quantities inserts can be supplied with custom hole diameter d1.
- Upon request and for special quantities inserts can be supplied in different materials/with different coatings.
- Upon request and for special quantities available in the colours indicated in the chart (attention: reduced range) [page 959].



Code	Art.	D	H	m	d	d2	d3	h3	d1 <sub>6H</sub>	Q	
N24830.0001	N24830.TM0801 (*)	30	31,5	11,5	20	20	18	5,5	M8	26	79
N24843.0002	N24843.TM1001	43	37,5	11,5	22	27,5	23	13,5	M10	24	85
N24854.0002	N24854.TM1201	54	43,5	12	26	32	31	13,5	M12	30	155
N24865.0001	N24865.TM1201	65	48,5	12	27	32	36	18,5	M12	30	180
N24878.0001	N24878.TM1401	78	55,5	12,5	31	36	50	23,5	M14	32	270

Threaded holes already provided: N248-30: M08-M10-M12

Threaded holes already provided: N248-43: M08-M10-M12

Threaded holes already provided: N248-54: M08-M10-M12

Threaded holes already provided: N248-65: M10-M12-M14

Threaded holes already provided: N248-78: M12-M14-M16

Attention: for a minimum of 100 pieces the diameter d1 can be produced with the requested dimensions.

