

O300CIN

STAINLESS STEEL HINGE WITH THROUGH HOLES

+200°
-30°

Aisi
316

RoHS
COMPLIANT

INOX

Materials:

Stainless steel (Aisi 316).

Surface finish:

Natural brushing.

Colour:

Natural.

Inserts:

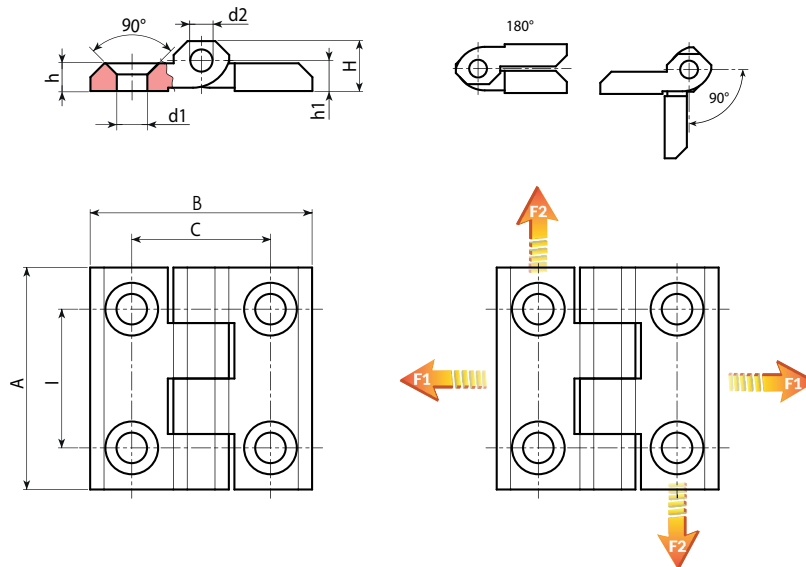
Stainless steel pivot pin (Aisi 303).

Holes:


Through holes obtained by moulding. 90° countersunk hole for UNI 5933
- UNI 6109 screws.

Special Requests:

- None.



15

| Code | Art. | l | C | A | B | H | h | h1 | d2 | d1 |  | F1 (N) | F2 (N) |
|-------------|-----------------|----|----|----|----|------|-----|-----|----|-----|---|--------|--------|
| O30025.0001 | O30025.HG5.5CIN | 25 | 25 | 40 | 40 | 9 | 5 | 5,5 | 4 | 5,5 | 60 | - | - |
| O30030.0001 | O30030.HG6.5CIN | 30 | 30 | 50 | 50 | 11,5 | 5,5 | 6,5 | 6 | 6,5 | 100 | 19600 | 9800 |
| O30036.0001 | O30036.HG8.5CIN | 36 | 36 | 60 | 60 | 15 | 8 | 8,5 | 8 | 8,5 | 190 | - | - |