

O454

+135°
-30°

PA6
+G.F.

UL94
HB

RoHS
COMPLIANT

UNIVERSAL HINGE WITH THREADED STUD AND INSERT TO MOUNT STRAIGHT DOOR

Materials:

Reinforced polyamide.
Resistant to oils and greases.

Surface finish:

Satin.

Colour:

Black (RAL 9011).

Inserts:

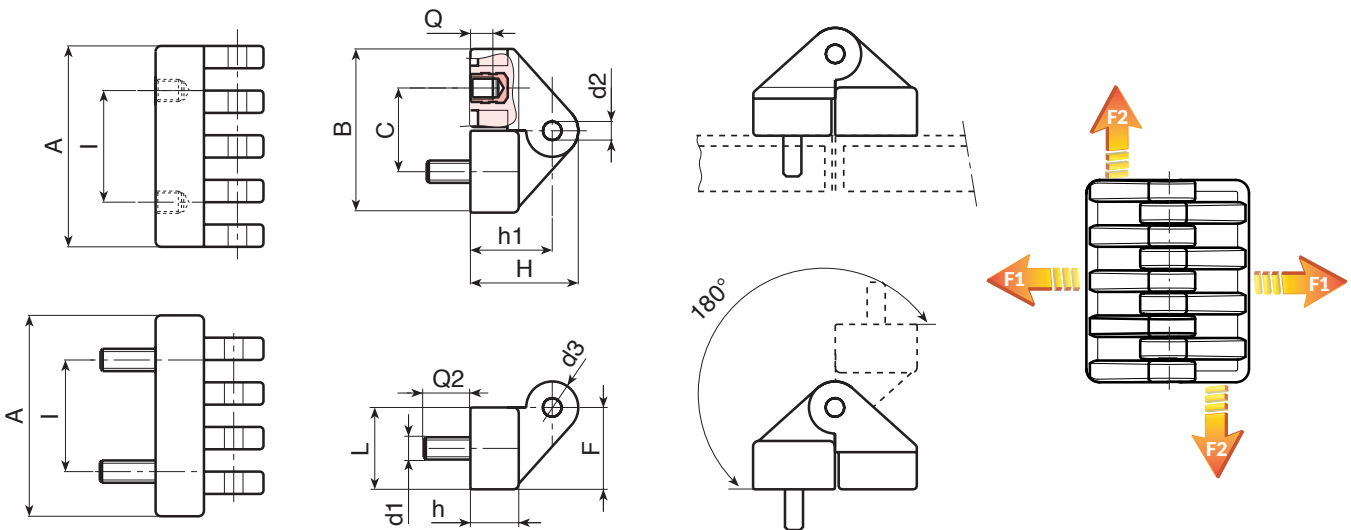
Galvanised steel pin.
Galvanised steel threaded stud (thread tolerance 6g).
Brass insert with female threaded hole (thread tolerance 6H).

Special Requests:

- None.



15



Code	art.	I	C	A	B	L	F	h	h1	H	d2	d3	d1	Q	Q2	g	F1(N)	F2(N)	
O45454.0001	O45454.TM0601	30	22,5	54	44	21,5	22	13	22,5	30	5	15	M6	7	15	g	72	295	1670

