

O510

VERTICAL ZAMAK HINGE WITH EXTENSION



Materials:

(1-2) Die-cast zamak alloy (zinc, aluminium and copper alloy).

Surface finish:

Light sandblasting.

Colour:

(O1) Black epoxy powder coated (RAL 9011).

(Z) Standard blue galvanising.

Inserts:

(3) Stainless steel hinge pivot pin (Aisi 304).

(4) Natural PA6 spacer bush.

EXTENSION:

The hinge can be supplied with the extension (5) included. In your order add the letter P to the end of the code.

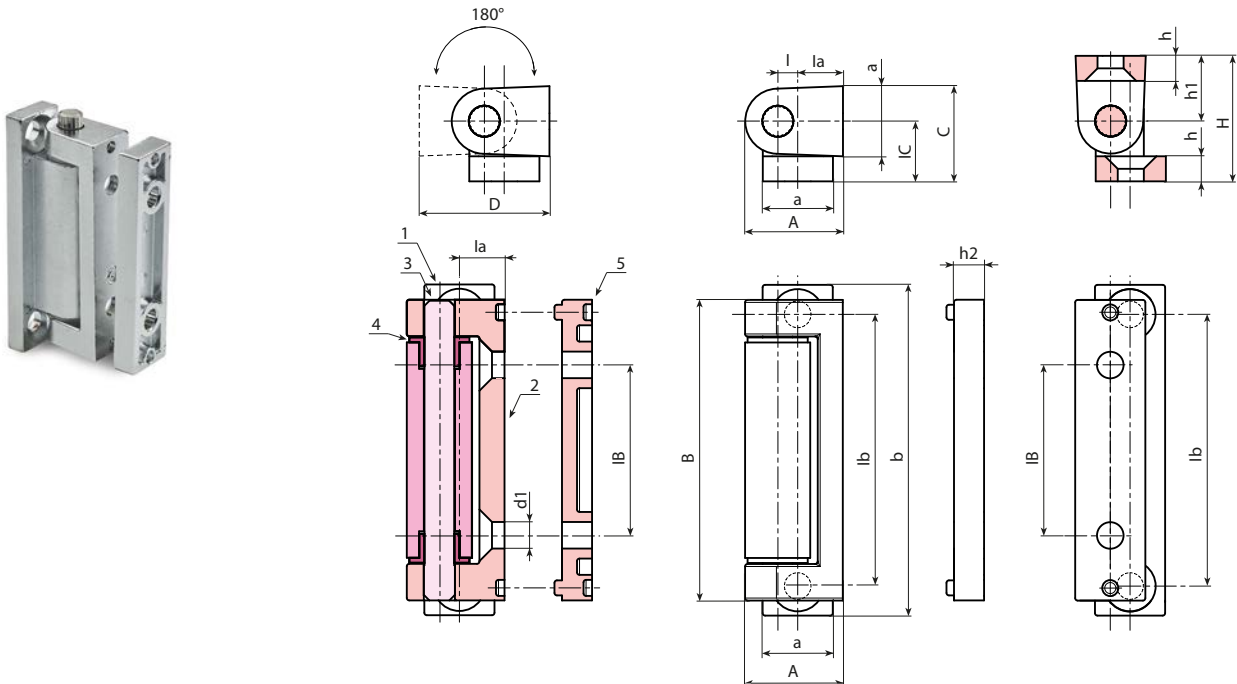
Holes:

Through holes obtained by moulding. 90° countersunk hole for UNI 5933 - UNI 6109 screws.

Special Requests:

- It is possible to order, separately, an additional thickness of 6 mm in black using code no. O51160.ZG05.0501; or a galvanised one using code no. O51160.ZG05.05Z.

ATTENTION: The hinge is delivered with the pivot pin unassembled, as it must be removed in any case before mounting on the door.



Black coated version code O1 ending

Code	Art.	lb	IB	A	a	B	b	C	D	I	h	h1	IC	la	d1	g
O510054.0001	O510054.ZG05.501	54	34	19,5	14	60	66	19	24	4	5	13	12,5	9	5,3	100

Black coated version code O1 ending + extension

Code	Art.	lb	IB	A	a	B	b	C	D	H	I	h	h1	IC	la	h2	d1	g
O510054.0002	O510054.ZG05.501P	54	34	19,5	14	60	66	19	24	25	4	5	13	12,5	9	6	5,3	111

Galvanised version code Z ending

Code	Art.	lb	IB	A	a	B	b	C	D	I	h	h1	IC	la	d1	g
O510054.0003	O510054.ZG05.5Z	54	34	19,5	14	60	66	19	24	4	5	13	12,5	9	5,3	100

Galvanised version code Z ending + extension

Code	Art.	lb	IB	A	a	B	b	C	D	H	I	h	h1	IC	la	h2	d1	g
O510054.0004	O510054.ZG05.5ZP	54	34	19,5	14	60	66	19	24	25	4	5	13	12,5	9	6	5,3	111

