

P315



CYLINDRICAL ANTI-VIBRATION MOUNT WITH SINGLE THREADED STUD

Materials:

Natural rubber (NR),

Rubber hardness:

Hardness 55 Shore A (tolerance $\pm 5\%$).

Surface finish:

Smooth.

Colour:

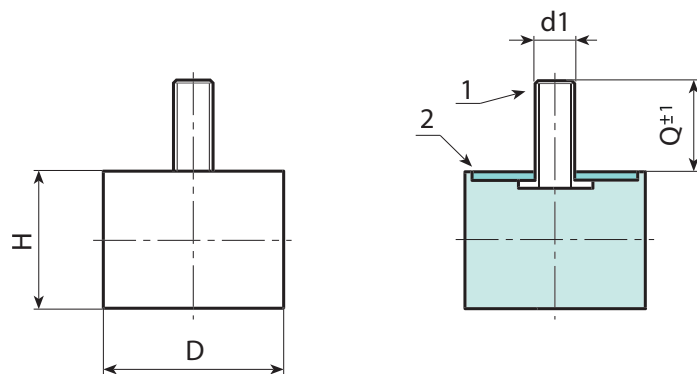
Black (RAL 9011).

Inserts:

- (1) Galvanised boron steel threaded stud (thread tolerance 6g).
- (2) Galvanised weldable steel washer.

Special requests:

- Upon request and for a minimum quantity of 100 pieces anti-vibration mounts can be supplied with hardness 45 or 70 Shore A.
- Upon request and for a minimum quantity of 100 pieces anti-vibration mounts can be supplied in different materials:
- P316= SBR
- P317= NBR
- P318= EPDM



Code	Art.	D	H	d1 _{6g}	Q		Compression stiffness (N/mm)
P315010.0001	P315010.F10M04X1055	10	10	M4	10	2	38
P315015.0001	P315015.F10M04X1055	15	10	M4	10	4	116.6
P315015.0002	P315015.F15M04X1055	15	15	M4	10	5	48.3
P315015.0003	P315015.F20M04X1055	15	20	M4	10	6	38.5
P315015.0004	P315015.F30M04X1055	15	30	M4	10	7	25.7
P315020.0001	P315020.F15M06X1555	20	15	M6	15	11	95.9
P315020.0002	P315020.F20M06X1555	20	20	M6	15	14	57
P315020.0003	P315020.F30M06X1555	20	30	M6	15	20	39.5
P315025.0001	P315025.F15M06X1855	25	15	M6	18	17	173
P315025.0003	P315025.F20M06X1855	25	20	M6	18	20	109
P315025.0004	P315025.F30M06X1855	25	30	M6	18	24	63.9
P315030.0001	P315030.F15M08X2055	30	15	M8	20	30	293.3
P315030.0002	P315030.F20M08X2055	30	20	M8	20	34	160
P315030.0003	P315030.F30M08X2055	30	30	M8	20	41	87
P315040.0001	P315040.F20M08X2355	40	20	M8	23	53	354.4
P315040.0002	P315040.F30M08X2355	40	30	M8	23	68	183.3
P315040.0003	P315040.F40M10X2855	40	40	M10	28	90	120.5
P315050.0001	P315050.F20M10X2855	50	20	M10	28	87	623.4
P315050.0003	P315050.F30M10X2855	50	30	M10	28	106	310.2
P315050.0004	P315050.F40M10X2855	50	40	M10	28	108	204
P315060.0001	P315060.F40M10X2855	60	40	M10	28	186	319.6
P315070.0001	P315070.F40M10X2855	70	40	M10	28	254	503.5
P315070.0002	P315070.F50M10X2855	70	50	M10	28	294	322.4
P315075.0001	P315075.F25M12X3755	75	25	M12	37	224	1274.6
P315075.0002	P315075.F40M12X3755	75	40	M12	37	296	528.3
P315075.0003	P315075.F50M12X3755	75	50	M12	37	340	378.8
P315100.0001	P315100.F40M16X4255	100	40	M16	42	584	1167.5
P315100.0002	P315100.F50M16X4255	100	50	M16	42	666	1489