

# Q283

## 4-LOBE WASHER WITH THREADED THROUGH-HOLE INSERT



PA6  
+G.F.

UL94  
HB



### Materials:

Reinforced polyamide. Resistant to oils and greases.

### Surface finish:

Satin.

### Colour:

Black (RAL 9011).

### Inserts:

#### Version Q283 TM:

Brass insert with threaded through hole (thread tolerance 6H).

#### Version Q283 TQ:

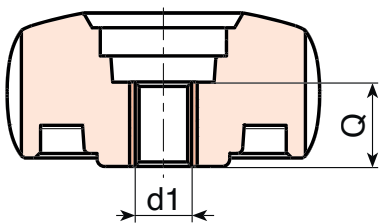
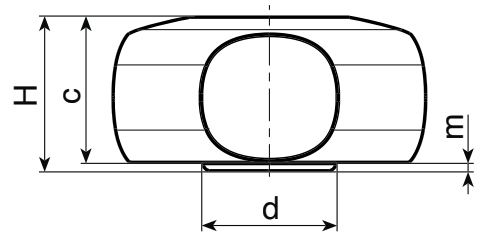
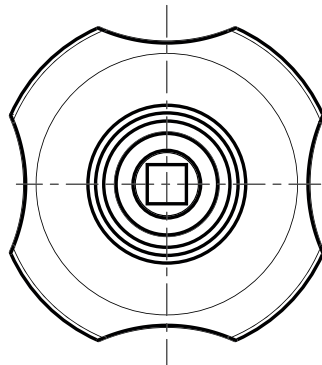
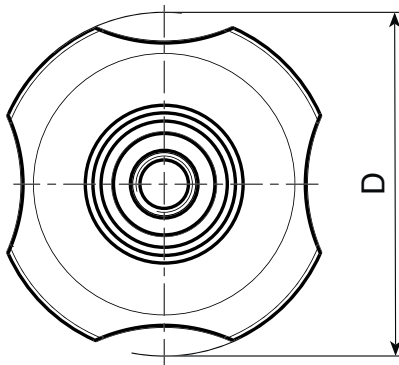
Brass insert with square through bore (bore tolerance H7).

#### Version Q283 TQ-PP:

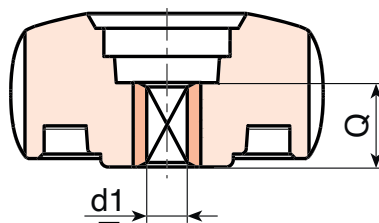
Without insert, with smooth through square hole obtained by moulding the plastic.

### Special requests:

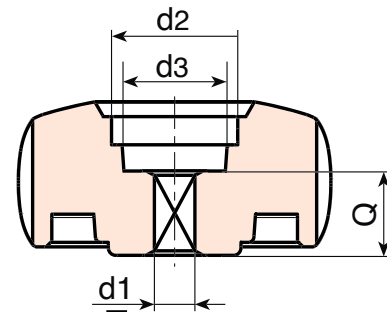
- Upon request and for special quantities inserts can be supplied in different materials.
- Upon request and for special quantities available in the colours indicated in the chart [page 959].



TM



TQ



TQ-PP

# Q283

NEW



## 4-LOBE WASHER WITH THREADED THROUGH-HOLE INSERT



Version Q283 TM: With brass insert and threaded through hole

Code	art.	D	H	d	d2	d3	c	m	d1 <sub>6H</sub>	Q	g
Q28340.0002	Q28340.TM0801P	40.5	20	17	18	13	19	1	M8	15	-
Q28340.0004	Q28340.TM1001P	40.5	20	17	18	13	19	1	M10	15	-
Q28350.0001	Q28350.TM0801P	49	23	20	20	15	22	1	M8	15	-
Q28360.0001	Q28360.TM1001P	59	27	23	22	18	22,5	1,5	M10	15	-
Q28360.0002	Q28360.TM1201P	59	27	23	22	18	22,5	1,5	M12	15	-
Q28380.0001	Q28380.TM1001P	79	26	30,5	22	19,5	24	2	M10	15	-
Q28380.0002	Q28380.TM1201P	79	26	30,5	22	19,5	24	2	M12	15	-

Version Q283 TQ: With brass insert and SQUARE hole

Code	art.	D	H	d	d2	d3	c	m	d1 <sub>H7</sub>	Q	g
Q28340.0005	Q28340.TQ0601P	40.5	20	17	18	13	19	1	6	15	-
Q28350.0002	Q28350.TQ0601P	49	23	20	20	15	22	1	6	15	-
Q28350.0004	Q28350.TQ0701P	49	23	20	20	15	22	1	7	15	-
Q28360.0003	Q28360.TQ0601P	59	27	23	22	18	22,5	1,5	6	15	-
Q28360.0005	Q28360.TQ0701P	59	27	23	22	18	22,5	1,5	7	15	-
Q28360.0007	Q28360.TQ0801P	59	27	23	22	18	22,5	1,5	8	15	-
Q28380.0003	Q28380.TQ0701P	79	26	30,5	22	20	24	2	7	15	-
Q28380.0005	Q28380.TQ0801P	79	26	30,5	22	20	24	2	8	15	-
Q28380.0007	Q28380.TQ0901P	79	26	30,5	22	20	24	2	9	15	-
Q28380.0009	Q28380.TQ1001P	79	26	30,5	22	20	24	2	10	15	-

Version Q283 TQ-PP: With SQUARE hole in the plastic

Code	art.	D	H	d	d2	d3	c	m	d1 <sub>+0,1</sub>	Q	g
Q28340.0006	Q28340.TQ0601PP	40.5	20	17	18	13	19	1	6	15	-
Q28350.0003	Q28350.TQ0601PP	49	23	20	20	15	22	1	6	15	-
Q28350.0005	Q28350.TQ0701PP	49	23	20	20	15	22	1	7	15	-
Q28360.0004	Q28360.TQ0601PP	59	27	23	22	18	22,5	1,5	6	15	-
Q28360.0006	Q28360.TQ0701PP	59	27	23	22	18	22,5	1,5	7	15	-
Q28360.0008	Q28360.TQ0801PP	59	27	23	22	18	22,5	1,5	8	15	-
Q28380.0004	Q28380.TQ0701PP	79	26	30,5	22	20	24	2	7	15	-
Q28380.0006	Q28380.TQ0801PP	79	26	30,5	22	20	24	2	8	15	-
Q28380.0008	Q28380.TQ0901PP	79	26	30,5	22	20	24	2	9	15	-
Q28380.0010	Q28380.TQ1001PP	79	26	30,5	22	20	24	2	10	15	-

