

R537

COMPLETE "SEALED" 5 WAY TERMINAL BLOCK



Materials:

(1-3) Impact resistant, self-extinguishing Polystyrene.

Surface finish:

Smooth.

Colour:

Black (RAL 9011).

Inserts:

- Brass insert with threaded through hole.
- (4) Galvanised self-tapping screw 4.2x22 DIN 7981/UNI6954.
- (2) Thermoplastic rubber 75 shore.
- (5) Galvanised steel screw M4x10 DIN 84.
- (6) Rear terminal block cover.

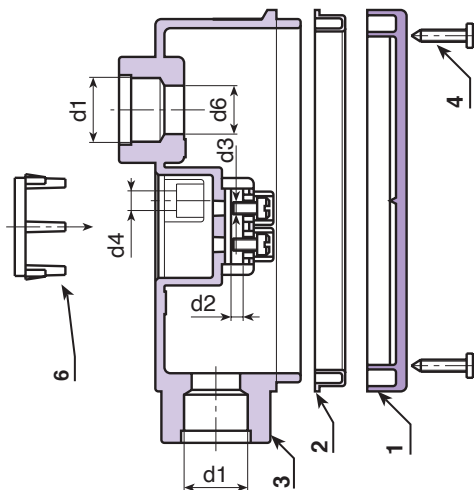
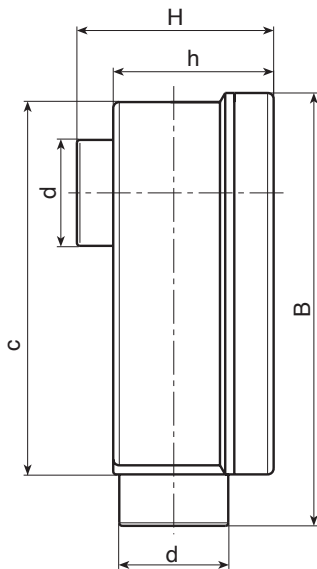
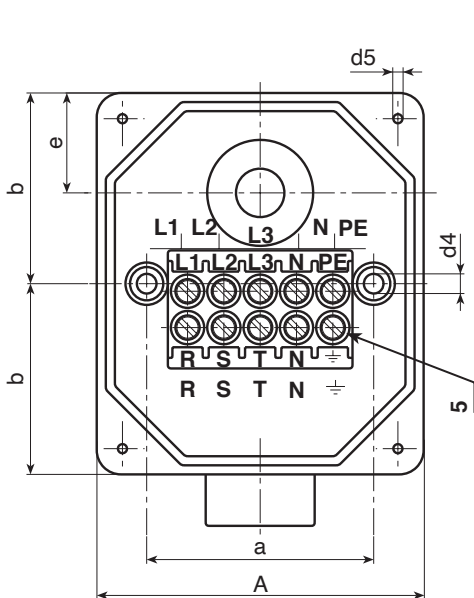
Degree of protection:

IP54.

Special Requests:

- None.

Product compliant with norm EN 50262 (20-57).



Code	Art.	A	B	H	h	d	a	b	c	e	d1	d2	d3	d4	d5	d6	
-	R537126M20.P01	108,5	144	67,5	54,5	36	75	63	120,5	30	M20x1,5	5	M4	6	3,5	18,5	345
-	R537126M25.P01(*)	108,5	144	67,5	54,5	36	75	63	120,5	30	M25x1,5	5	M4	6	3,5	18,5	345

(*) Lockable cable section: 2,5mm² 3-cable (220V) or 1,5mm² 5-cable (380V).