

R602



POLYPROPYLENE / RUBBER WHEEL WITH ROUND STEEL SWIVEL SUPPORT AND SMOOTH THROUGH HOLE WITH BRAKE

Materials:

Wheel body:

Polypropylene.

Tread:

Synthetic thermoplastic rubber. Hardness 93 ± 3 Shore A.

Surface finish:

Smooth.

Colour:

- (1) Dark grey.
- (2) Light grey.
- (3-4-5-6-7) Galvanised blue.

Wheel rotation (4):

The hole for the pivot pin is formed by plastic moulding. A galvanised steel tube is positioned between the stud and the hole for protection.

Bracket (3):

Steel fork (DD13), with integrated brake. Brake actuation lever moulded in grey plastic.

Rotating assembly (5):

Steel rotating assembly with double ball race and smooth fixing hole, (hole tolerance H7).

Wheel fastening (6):

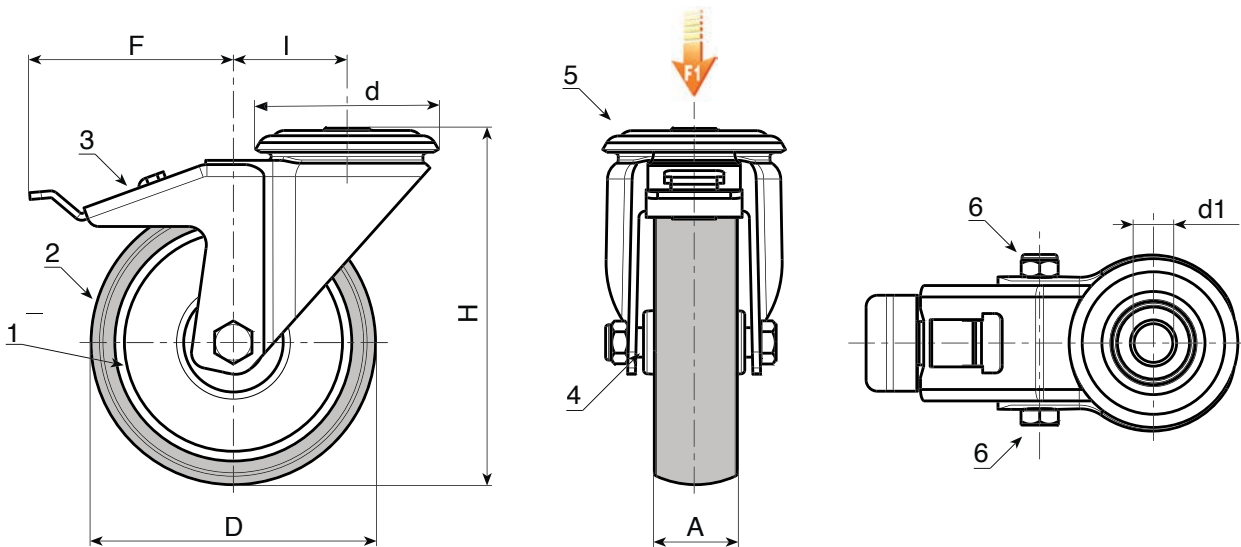
Steel hex head screw, coupled with a steel nut.

Special requests:

- Upon request the wheel can be supplied in material with high electrical conductivity (ESD).



18



Version: standard.

Code	art.	D	A	H	I	d	F	d1H7	g	F1 (Kg)
R602050.0001	R602050.T18D12	50	18	70	26	48	80	12	-	40
R602063.0001	R602063.T22D12	63	22	90	26	48	84	12	-	60
R602080.0001	R602080.T22D12	80	22	109	25	48	84	12	-	60
R602100.0001	R602100.T27D12	100	27	134	36	57	106	12	-	80
R602125.0001	R602125.T27D12	125	27	159	35	57	106	12	-	80

Version ESD: with wheel in conductive material.



Code	art.	D	A	H	I	d	F	d1H7	g	F1 (Kg)
R602050.0002	R602050.T18D12ESD	50	18	70	26	48	80	12	-	40
R602060.0001	R602060.T22D12ESD	60	22	90	26	48	84	12	-	60
R602080.0002	R602080.T24D12ESD	80	24	109	25	48	84	12	-	60
R602100.0002	R602100.T29D12ESD	100	29	134	36	57	106	12	-	80
R602125.0002	R602125.T29D12ESD	125	29	159	35	57	106	12	-	80