

R609



POLYPROPYLENE / RUBBER WHEEL WITH RIGID STEEL FORK AND MOUNTING PLATE

Materials:

Wheel body:

Polypropylene.

Tread:

Synthetic thermoplastic rubber. Hardness 93 ± 3 Shore A.

Surface finish:

Smooth.

Colour:

- (1) Dark grey.
- (2) Light grey.
- (3-4-5-6-7) Galvanised blue.

Wheel rotation (4):

The hole for the pivot pin is formed by plastic moulding. A galvanised steel tube is positioned between the stud and the hole for protection.

Bracket (3):

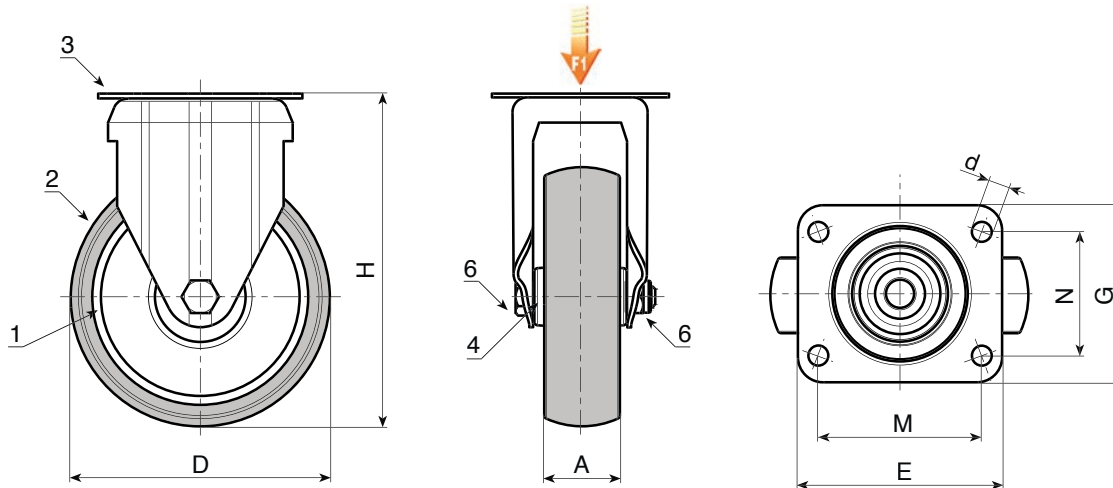
Steel (DD13) fork, with mounting holes in the base.

Wheel fastening (6):

Steel hex head screw, coupled with a steel nut.

Special requests:

- Upon request the wheel can be supplied in material with high electrical conductivity (ESD).



Version: standard.

| Code | art. | D | A | H | E | G | M | N | d | g | F1 (Kg) |
|--------------|---------------------|-----|----|-----|----|----|----|----|-----|---|---------|
| R609050.0001 | R609050.T18P045X045 | 50 | 18 | 70 | 60 | 60 | 45 | 45 | 6,5 | - | 40 |
| R609063.0001 | R609063.T22P045X045 | 63 | 22 | 90 | 60 | 60 | 45 | 45 | 6,5 | - | 60 |
| R609080.0001 | R609080.T22P045X045 | 80 | 22 | 109 | 60 | 60 | 45 | 45 | 6,5 | - | 60 |
| R609100.0001 | R609100.T27P060X050 | 100 | 27 | 134 | 76 | 70 | 60 | 50 | 8,3 | - | 80 |
| R609125.0001 | R609125.T27P060X050 | 125 | 27 | 159 | 76 | 70 | 60 | 50 | 8,3 | - | 80 |

Version ESD: with wheel in conductive material.



| Code | art. | D | A | H | E | G | M | N | d | g | F1 (Kg) |
|--------------|------------------------|-----|----|-----|----|----|----|----|-----|---|---------|
| R609050.0002 | R609050.T18P045X045ESD | 50 | 18 | 70 | 60 | 60 | 45 | 45 | 6,5 | - | 40 |
| R609060.0001 | R609060.T22P045X045ESD | 60 | 22 | 90 | 60 | 60 | 45 | 45 | 6,5 | - | 60 |
| R609080.0002 | R609080.T24P045X045ESD | 80 | 24 | 109 | 60 | 60 | 45 | 45 | 6,5 | - | 60 |
| R609100.0002 | R609100.T29P060X050ESD | 100 | 29 | 134 | 76 | 70 | 60 | 50 | 8,3 | - | 80 |
| R609125.0002 | R609125.T29P060X050ESD | 125 | 29 | 159 | 76 | 70 | 60 | 50 | 8,3 | - | 80 |