

R809

BAR STOP



Materials:
Reinforced polyamide.
Resistant to oils and greases.

Surface finish:
Satin.

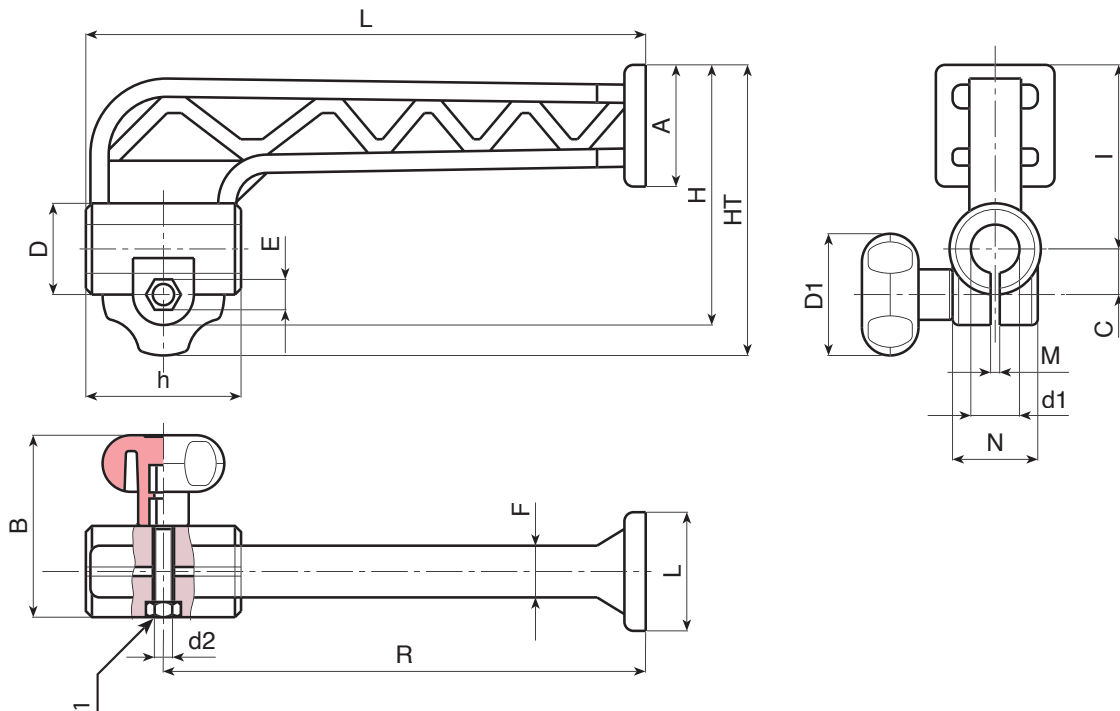
Colour:
Black (RAL 9011).

Hole:
Smooth through hole obtained by moulding the plastic.

Inserts:
(1) Galvanised steel nut with threaded through hole DIN 934 / UNI 5588

Locking handwheel:
R809130: art. G73230.TM06X25.
R809158: art. G73240.TM06X30.

Special requests:
• None.



Code	Art.	R	L	H	HT	D	D1	A	B	C	E	F	I	M	N	h	d1	d2	g
R809130.0001	R809130.TD1201	132	150	85	90	24,5	30	25	47	12	10	14,5	63	2	24,5	35	12	M6	70
R809130.0002	R809130.TD1301	132	150	85	90	24,5	30	25	47	12	10	14,5	63	2	24,5	35	13	M6	70
R809130.0003	R809130.TD1601	132	150	85	90	24,5	30	25	47	12	10	14,5	63	2	24,5	35	16	M6	67
R809158.0001	R809158.TD1601	158	183	92	102	29	40	40	57	14,5	10	17	67	2	28,5	51	16	M6	130
R809158.0002	R809158.TD2001	158	183	92	102	29	40	40	57	14,5	10	17	67	2	28,5	51	20	M6	130