

S111

FEMALE CONNECTOR FOR WELDING MACHINE PANEL



Materials:

Phenolic resin.
Resistant to oils and greases.
Resistant to high temperatures.

Surface finish:

Glossy.

Colour:

Black (RAL 9011).

Inserts:

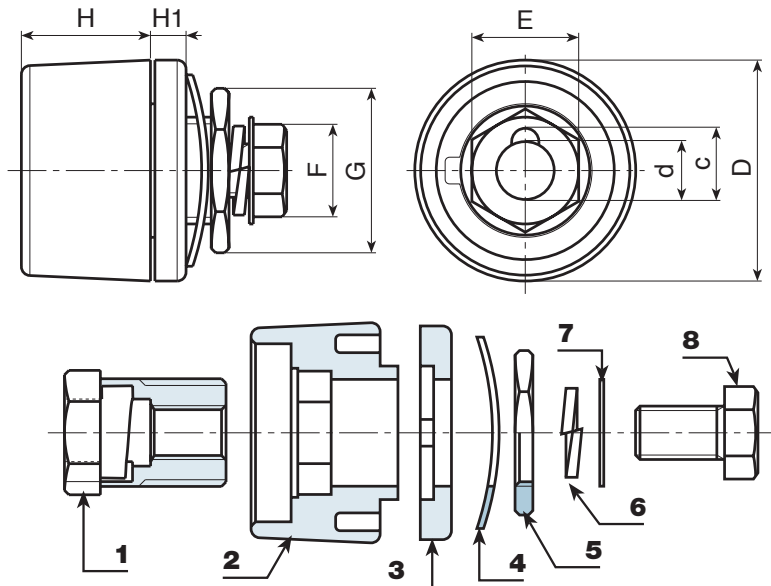
- (1) Brass insert with female connector EN 60794:12.
- (4) F25-00: Black-oxide treated steel toothed washer DIN 6798.
- (4) F35-00: Black-oxide treated steel corrugated washer DIN 137.
- (4) F70-95: Black-oxide treated steel corrugated washer DIN 137.
- (5) Yellow passivated steel threaded hexagon ring nut.
- (6) Black-oxide treated steel split washer UNI 1751.
- (7) Yellow passivated steel washer.
- (8) Yellow passivated hex head screw DIN933/UNI 5739.

Special Requests:

- None.



S111+S112



Code	art.	D	H	H1	d	c	E	F	G	g	Amp. Max
-	S111.F2500	33	14	4	9	11	14	13	22	50	200
-	S111.F3550	50.5	29	7	13	16	21	17	27	153	400
-	S111.F7095	50.5	29	7	13	16	24	19	32	202	500