

W698

QUICK RELEASE PLASTIC KNOB DETENT PIN



Materials:

- (1) Reinforced polyamide. Resistant to oils and greases.
- (2) Stainless steel (Aisi 303).

Surface finish:

- (1) Satin.
- (2) Turned.

Colour:

- (1) Black (RAL 9011).
- (2) Natural.

Inserts:

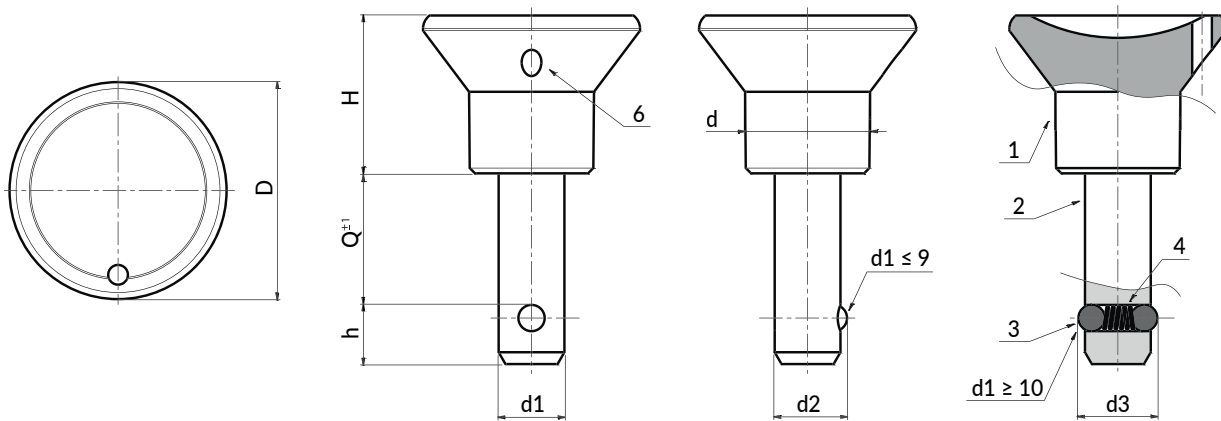
- (4) Galvanised steel spring.
- (3) Stainless steel balls (Aisi 440C).
- (2) Turned stem with hole for spring and ball.

Attention:

- > Two retaining balls are mounted in a stem with diameter equal to or greater than 10mm.
- > We recommend making the hole for the stem with tolerance H11.

Special Requests:

- None.



Code	Art.	D	d	H	h	d2	d3	d1 _(-0.04/-0.08)	Q _(+0.6)	g	Shear strength to double shear strength max. kN
W698025.0001	W698025.TD06X1001	25	14	18	7	6.5	-	6	10	12	22
W698025.0002	W698025.TD06X1501	25	14	18	7	6.5	-	6	15	12	22
W698025.0003	W698025.TD06X2001	25	14	18	7	6.5	-	6	20	13	22
W698025.0004	W698025.TD06X2501	25	14	18	7	6.5	-	6	25	14	22
W698025.0005	W698025.TD06X3001	25	14	18	7	6.5	-	6	30	15	22
W698025.0006	W698025.TD06X4001	25	14	18	7	6.5	-	6	40	18	22
W698025.0007	W698025.TD06X5001	25	14	18	7	6.5	-	6	50	21	22
W698025.0008	W698025.TD08X1501	25	14	18	8	8.75	-	8	15	18	38
W698025.0009	W698025.TD08X2001	25	14	18	8	8.75	-	8	20	19	38
W698025.0010	W698025.TD08X2501	25	14	18	8	8.75	-	8	25	20	38
W698025.0011	W698025.TD08X3001	25	14	18	8	8.75	-	8	30	21	38
W698025.0012	W698025.TD08X4001	25	14	18	8	8.75	-	8	40	25	38
W698025.0013	W698025.TD08X5001	25	14	18	8	8.75	-	8	50	31	38
W698033.0001	W698033.TD10X1501	33	19	24	9	-	12	10	15	29	60
W698033.0002	W698033.TD10X2001	33	19	24	9	-	12	10	20	32	60
W698033.0003	W698033.TD10X2501	33	19	24	9	-	12	10	25	37	60
W698033.0004	W698033.TD10X3001	33	19	24	9	-	12	10	30	38	60
W698033.0005	W698033.TD10X4001	33	19	24	9	-	12	10	40	46	60
W698033.0006	W698033.TD10X5001	33	19	24	9	-	12	10	50	53	60
W698033.0007	W698033.TD12X2001	33	19	24	10	-	14.5	12	20	40	86
W698033.0008	W698033.TD12X3001	33	19	24	10	-	14.5	12	30	51	86
W698033.0009	W698033.TD12X4001	33	19	24	10	-	14.5	12	40	60	86
W698033.0010	W698033.TD12X5001	33	19	24	10	-	14.5	12	50	69	86