

# W913



## KNOB WITH STEEL INDEXING PLUNGER, LONG NOSE PIN AND LOCK NUT

### Materials:

- (3) Stainless steel spring (Aisi 301).
- (4) Reinforced polyamide lobed knob. Cannot be disassembled. Resistant to oils and greases.

### W913:

- (2) Threaded high-resistance steel hexagon ring nut.
- (1) Hardened high resistance steel plunger pin.
- (5) Threaded steel lock nut (UNI 5589).

### W913CIN:

- (2) Threaded stainless steel hexagon ring nut (Aisi 303).
- (1) Stainless steel plunger pin (Aisi 303).
- (5) Threaded stainless steel lock nut (Aisi 304) (UNI 5589).

### Surface finish:

- (4) Satin.
- (1-2-5) Smooth.

### Colour:

- (4) Black (RAL 9011).

### W913:

- (1-2-5) Black-oxide treated.

### W913CIN:

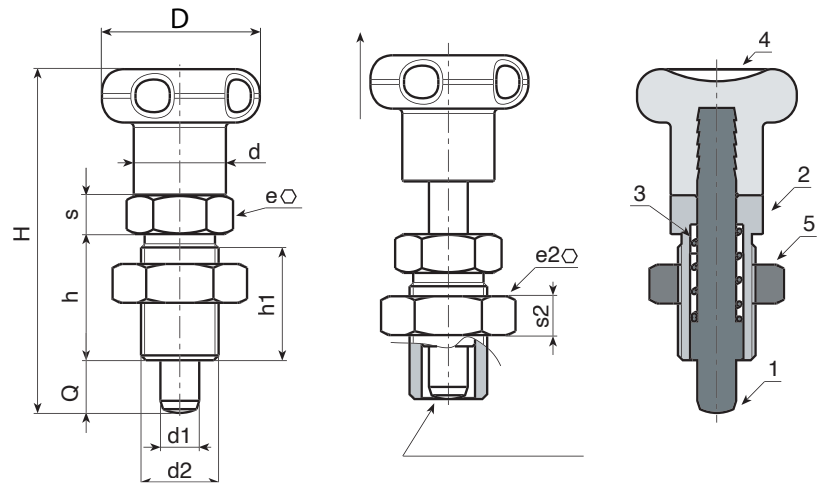
- (1-2-5) Natural.

### ATTENTION:

- > We recommend an H7 tolerance for the plunger stem bore.
- > The nut is supplied assembled.

### Special Requests:

- On request and for special quantities the knob can be supplied in the colours indicated in the table [page 959].
- On request the nut can be supplied disassembled.



### Version W913 - black-oxide treated steel

Code	Art.	D	H	h	h1	d2	d	e	s	e2	s2	d1-0,02 -0,04	Q	g
W913010.0001	W913010.Q05X0801	22	48	17	15	M10x1	12	12	5	17	6	5	8	25
W913012.0001	W913012.Q06X0901	27	57	20	18	M12x1,5	14	14	6	19	7	6	9	41
W913016.0006	W913016.Q08X1201	33	72	26	23	M16x1,5	19	19	8	24	8	8	12	89
W913016.0007	W913016.Q10X1201	33	72	26	23	M16x1,5	19	19	8	24	8	10	12	89
W913020.0002	W913020.Q12X1501	33	84	33	30	M20x1,5	19	22	10	30	9	12	15	153

### Version W913 CIN - stainless steel (Aisi 303)

INOX

Code	Art.	D	H	h	h1	d2	d	e	s	e2	s2	d1-0,02 -0,04	Q	g
W913010.0002	W913010.I05X0801CIN	22	48	17	15	M10x1	12	12	5	17	6	5	8	25
W913012.0002	W913012.I06X0901CIN	27	57	20	18	M12x1,5	14	14	6	19	7	6	9	41
W913016.0005	W913016.I08X1201CIN	33	72	26	23	M16x1,5	19	19	8	24	8	8	12	89
W913016.0001	W913016.I10X1201CIN	33	72	26	23	M16x1,5	19	19	8	24	8	10	12	89
W913020.0001	W913020.I12X1501CIN	33	84	33	30	M20x1,5	19	22	10	30	9	12	15	153