

Y099



DIN 99 - L and N DESIGN - STEEL FIXED LEVER WITH TAPER ARM

Materials:

Turned free-cutting steel body.

Surface finish:

Fine turned finish.

Colour:

Black-oxide treated.

Hole:

version VBM:

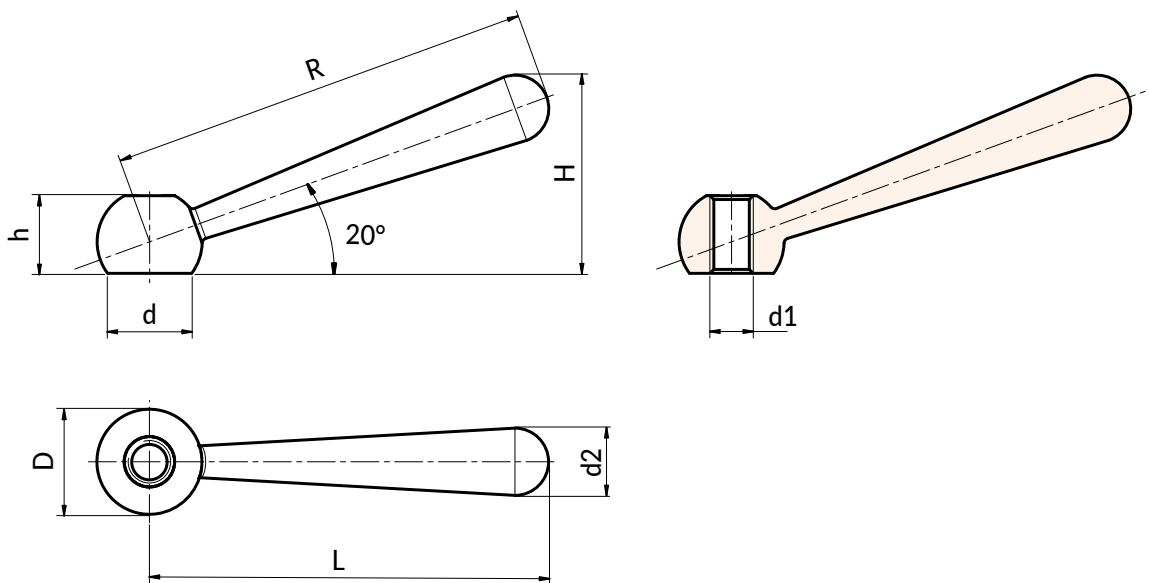
Threaded through hole (thread tolerance 6H).

version VBD:

Smooth through hole (hole tolerance 7H).

Special requests:

- None.



Version Y099 VBM - N Design with threaded hole

Code	art.	R	L	D	d	d2	h	H	d16H	
Y099063.0004	Y099063.VBM08	63	60	16	12.5	10	12	30	M8	36
Y099080.0004	Y099080.VBM10	80	76	20	16	13	14.5	38	M10	74
Y099100.0004	Y099100.VBM12	100	95	25	20	16	18.5	47	M12	141
Y099125.0004	Y099125.VBM16	125	119	32	25	20	24	59.5	M16	278
Y099160.0004	Y099160.VBM20	160	152	40	31	25	30	75.5	M20	564

Version Y099 VBD - L Design with smooth hole

Code	art.	R	L	D	d	d2	h	H	d1H7	
Y099063.0003	Y099063.VBD08	63	60	16	12.5	10	12	30	08	36
Y099080.0003	Y099080.VBD10	80	76	20	16	13	14.5	38	10	74
Y099100.0003	Y099100.VBD12	100	95	25	20	16	18.5	47	12	141
Y099125.0003	Y099125.VBD16	125	119	32	25	20	24	59.5	16	278
Y099160.0003	Y099160.VBD20	160	152	40	31	25	30	75.5	20	564