

Y319



DIN 6319 ed. 10/01 - STEEL CONVEX C DESIGN WASHER

Materials:

Y319:
Case-hardened steel.

Y319PIN:
Stainless steel (Aisi 303).

Surface finish:

Y319:
Smooth, case-hardened.

Y319PIN:
Natural, untreated.

Colour:

Y319:
Standard black-oxide treatment.

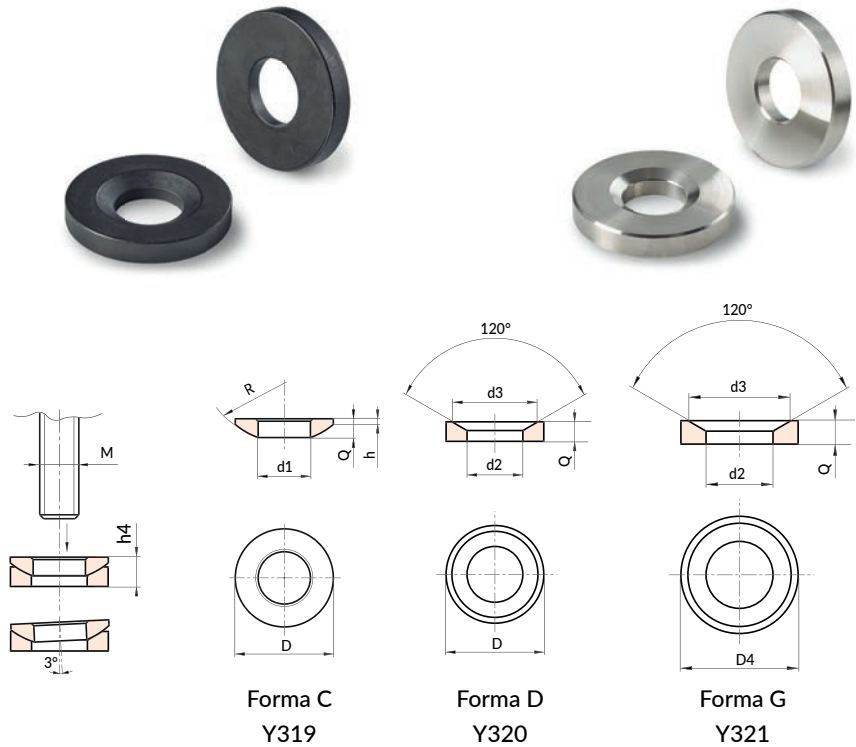
Y319PIN:
Natural.

Special requests:

- None.

Notes:

Attention: convex washer Y319 must be used with concave washer Y320 or Y321 (to be ordered separately).



Forma C
Y319

Forma D
Y320

Forma G
Y321

Version DIN 6319 C Design - black-oxide treated steel convex washer

Code	Art.	D	R	h	d1 _{H13}	M	Q	Max. permissible static load	kN	
Y319010.0001	Y319010.SD05.25	10.5	7.5	0.4	5.25	M05	2	-	0.7	
Y319012.0002	Y319012.SD06.4	12	9	0.7	6.4	M06	2.3	9	1	
Y319017.0002	Y319017.SD08.4	17	12	0.6	8.4	M08	3.2	17	2.8	
Y319021.0002	Y319021.SD10.5	21	15	0.8	10.5	M10	4	26	5	
Y319024.0002	Y319024.SD13	24	17	1.1	13	M12	4.6	38	8	
Y319028.0001	Y319028.SD15	28	22	1.2	15	M14	5	53	11	
Y319030.0002	Y319030.SD17	30	22	1.3	17	M16	5.3	73	13	
Y319036.0002	Y319036.SD21	36	27	2	21	M20	6.3	117	23	
Y319044.0002	Y319044.SD25	44	32	2.4	25	M24	8.2	168	21	
Y319056.0002	Y319056.SD31	56	41	3.6	31	M30	11.2	269	103	
Y319068.0002	Y319068.SD37	68	50	4.6	37	M36	14	394	188	
Y319078.0002	Y319078.SD43	78	58	6.5	43	M42	17	542	316	
Y319092.0002	Y319092.SD50	92	67	8	50	M48	21	714	549	
Y319103.0001	Y319103.SD58	103	79	9.5	58	M56	23	-	748	
Y319120.0001	Y319120.SD66	120	93	12	66	M64	27	-	1239	



Version DIN 6319 C Design - stainless steel (Aisi 303) convex washer

Code	Art.	D	R	h	d1 _{H13}	M	Q	Max. permissible static load	kN	
Y319012.0001	Y319012.ID06.4PIN	12	9	0.7	6.4	M06	2.3	6	1	
Y319017.0001	Y319017.ID08.4PIN	17	12	0.6	8.4	M08	3.2	12	2.8	
Y319021.0001	Y319021.ID10.5PIN	21	15	0.8	10.5	M10	4	16	5	
Y319024.0001	Y319024.ID13PIN	24	17	1.1	13	M12	4.6	24	7	
Y319030.0001	Y319030.ID17PIN	30	22	1.3	17	M16	5.3	45	13	
Y319036.0001	Y319036.ID21PIN	36	27	2	21	M20	6.3	71	24	
Y319044.0001	Y319044.ID25PIN	44	32	2.4	25	M24	8.2	105	44	
Y319056.0001	Y319056.ID31PIN	56	41	3.6	31	M30	11.2	191	106	
Y319068.0001	Y319068.ID37PIN	68	50	4.6	37	M36	14	-	194	
Y319078.0001	Y319078.ID43PIN	78	58	6.5	43	M42	17	-	311	
Y319092.0001	Y319092.ID50PIN	92	67	8	50	M48	21	-	550	